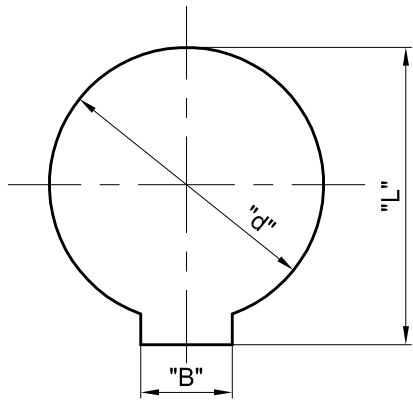
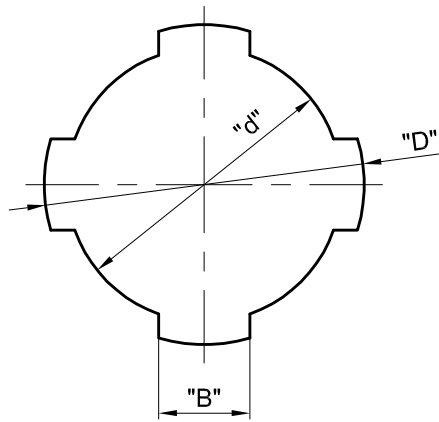


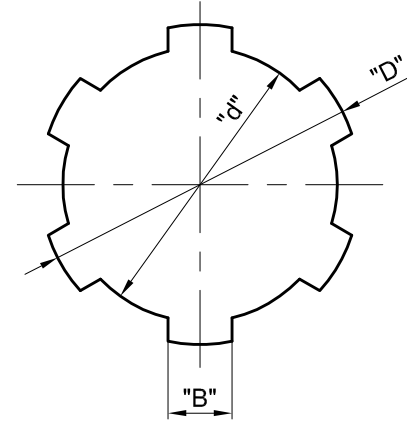
Clutch type:
 Please match appropriate bore and fill the dimensions



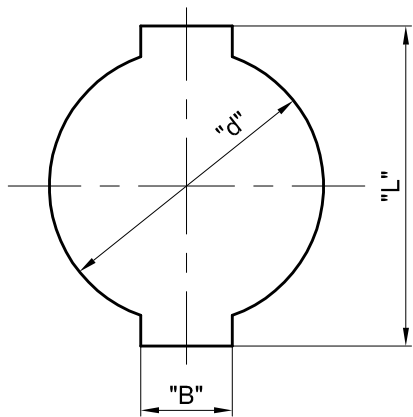
"d" = mm
 "L" = mm
 "B" = mm



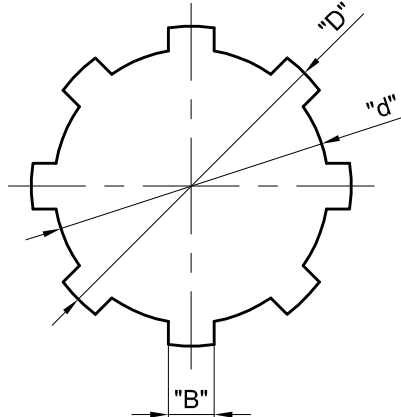
"d" = mm
 "D" = mm
 "B" = mm



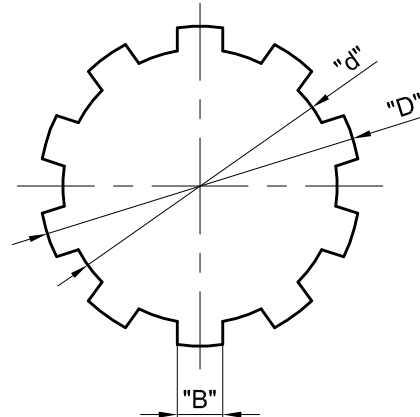
"d" = mm
 "D" = mm
 "B" = mm



"d" = mm
 "L" = mm
 "B" = mm



"d" = mm
 "D" = mm
 "B" = mm



"d" = mm
 "D" = mm
 "B" = mm